

6042TW

inches

SOAKER

Exterior Dimensions: 60 x 42 x 26 1/4 inches



FEATURES

- Alcove bath
- Smooth tile (Wainscot only)
- 8 3/4" wainscot
- Ergonomic backrest
- Integral tiling flange (3T)
- Integral skirt
- Left or right hand drain
- AcrylX™ applied acrylic surface
- Lifetime limited warranty

OPTIONS

- Designer drain, waste & overflow

Dimensions may vary \pm 1/4" inch.

Please check unit before installation.

*See terms and conditions for details.

COLOR OPTION

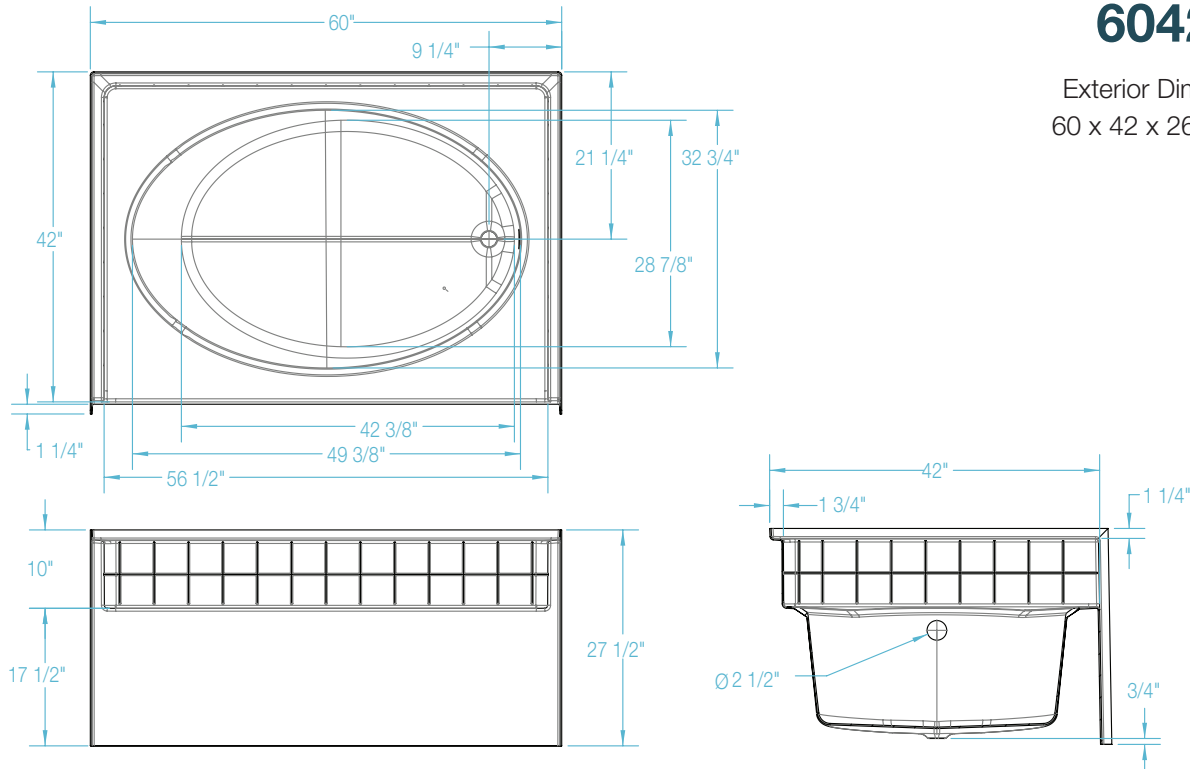
Standard Color	Code
White	WT

FLORESTONE
A spec above.



6042TW

Exterior Dimensions:
60 x 42 x 26 1/4 inches



FEATURES Dimensional Tolerance $\pm 1/4"$. Dimensions needed for site preparation should be measured from the unit. American Bath Group assumes no responsibility for preparatory work.

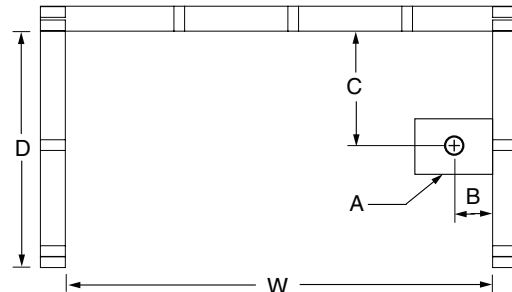
Model #	Material	Jets	Motor	Controls	Drain	Net Wt.	Pkg. Wt.
Soaker #6042TW	AcrylX™	-	-	-	LH or RH	85	90

DIMENSIONS

Specifications	inches
Width: Overall / Net	60
Depth: Overall / Net	43 1/4 / 42
Height: Overall / Net	27 1/2 / 26 1/4
Enclosure Opening	56 1/2
Skirt Height	17 1/2
Drain Rough-In (from Back Wall)	21 1/4
Drain Rough-In (from Side Wall)	3 7/8
Drain: Diameter / Clearance	2 / 3/4

FRAMING DIMENSIONS INCHES

Type	D Depth	W Width	H Height	A	B	C
Alcove	43 1/4	60 1/8	26	Box Out	3 7/8	21 1/4



SUMP DATA

Top of Drain to Bottom of Overflow	Capacity to Overflow gal	Min. Operating Capacity gal	WIDTH @ centerline		DEPTH @ centerline	
			Top	Bottom	Top	Bottom
11 3/4	67	50	49 3/8	42 3/8	32 3/4	28 7/8

Rev. 09.29.23

